



# **TC-142 PD TRANSFER CASE PARTS MANUAL**

## 8.0 ILLUSTRATED PARTS

### TABLE OF CONTENTS

	<b>FIGURE</b>
Lower Shaft TC-142 PD 50/50.....	8.1
Air Shift Cylinder for Differential Lockout.(not shown).....	8.2
Lower Shaft TC-142 PD 26/74.....	8.3

#### TO USE THIS ILLUSTRATED PARTS SECTION

1. Refer to the figures which illustrate the needed part.
2. Find the required part and note the item number and quantity.
3. Locate the item number in the parts list section for the required part number and description.

**NOTE: When ordering parts, specify transfer case model number, part number, serial number or other information that is on the Fabco nameplate located on the transfer case housing.**

Part numbers contained in this manual were in effect at the time the manual was approved for printing and are subject to change without notice or liability. Fabco Automotive Corporation reserves the right to change parts at anytime.

**USE ONLY GENUINE FABCO PARTS**

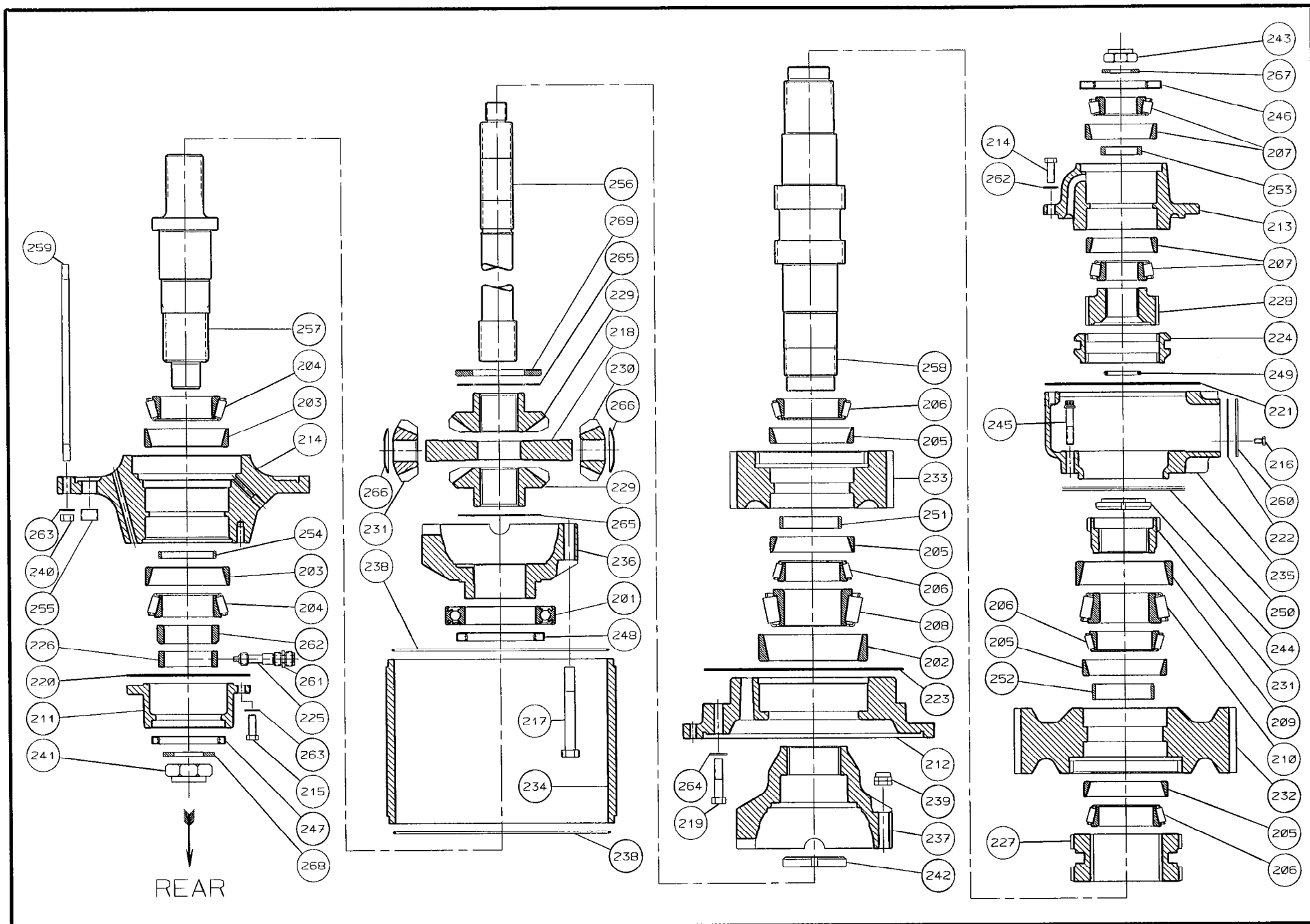


FIGURE 8.1 , TC-142PD 50/50 , LOWER SHAFT PARTS

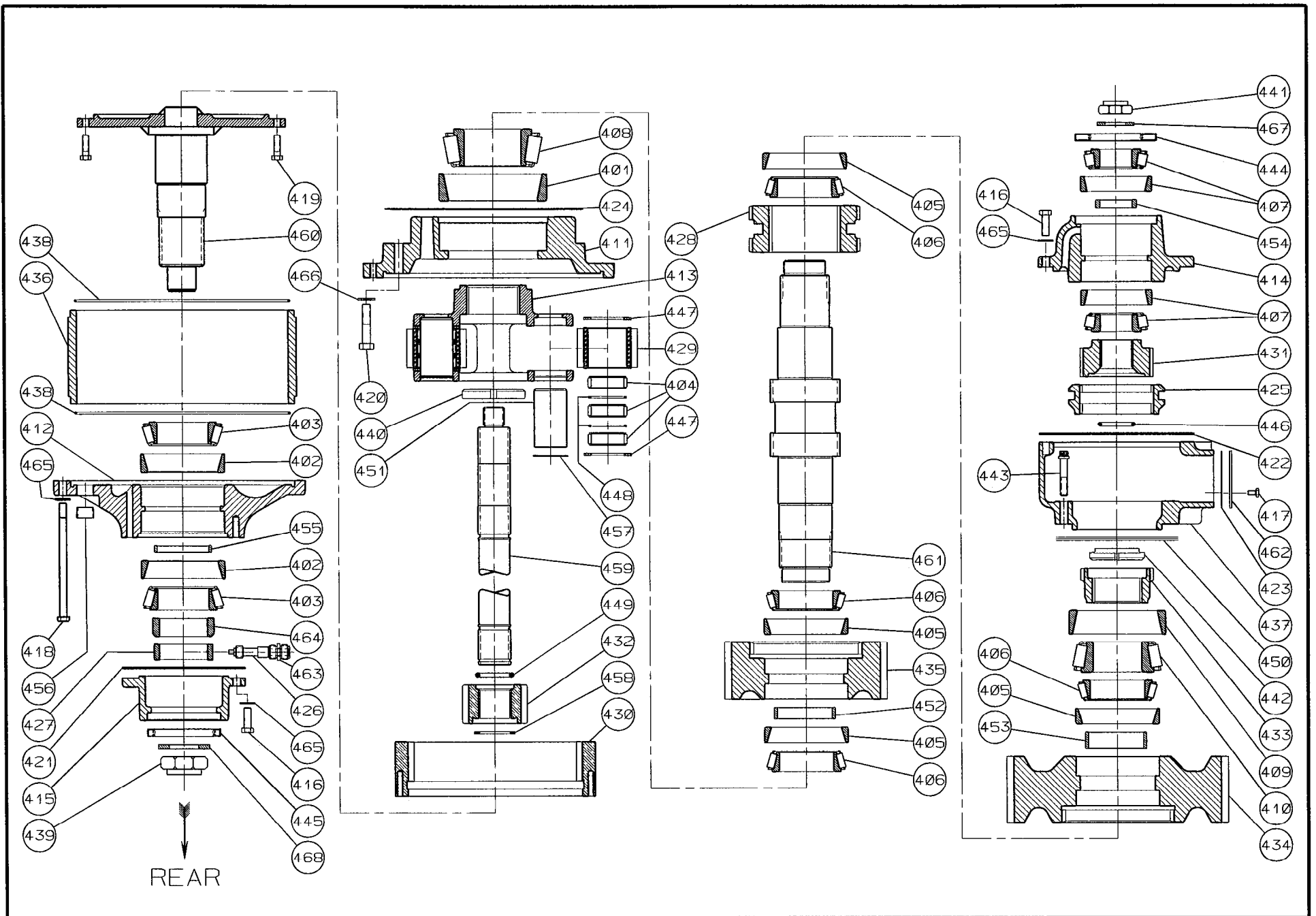


FIGURE 8.3 , TC-142PD 26/74 , LOWER SHAFT PARTS

## 9.0 PARTS LIST TC-142 PD 50/50 LOWER SHAFT

ITEM	PART NO.	DESCRIPTION	QTY	FOOT NOTE
201	232 397	Bearing	1	
202	233 245	Bearing Cup	1	
203	233 394	Bearing Cup	2	
204	233 395	Bearing Cone	2	
205	233 527	Bearing Cup	4	
206	233 528	Bearing Cone	4	
207	233 534	Bearing Cup & Cone Assembly	2	
208	233 535	Bearing Cone	1	
209	233 554	Bearing Cup	1	
210	233 556	Bearing Cone	1	
211	237 573 001	Carrier, Speedo & Rear Output Seal	1	
212	237 565	Carrier, Bearing & PD Housing, Inner	1	
213	237 569	Carrier, Bearing & Seal, PD Lockout	1	
214	237 575	Carrier, Bearing & PD Housing	1	
215	265 238	Bolt, H.H., 7/16-14 x 1 1/4	14	
216	265 343	Bolt, H.H., 1/4-20 x 1/2	4	
217	265 759	Bolt, H.H. 5/8-18 x 5 1/2 Gr. 8	8	
218	277 264	Cross, Differential Spider	1	
219	283 232	Bolt, H.H., 1/2-13 x 2 3/4	11	
220	427 372	Gasket, Front Upper	1	
221	427 375	Gasket, Declutch Carrier	1	
222	427 376	Gasket, Declutch Cover	1	
223	427 432	Gasket, Rear Output Carrier	1	
224	432 426	Gear, Clutch Collar	1	
225	432 429	Gear, Speedo Driven, 13T	1	
226	432 432	Gear, Speedo Driven, 6T	1	
227	432 485	Gear, Collar, 33 Clutch Teeth	1	2
227	432 698	Gear, Collar, 33 Tapered Clutch Teeth	1	2
228	432 532	Gear, Declutch, PD Lockout	1	
229	432 535	Gear, Differential Side	2	

## 9.0 PARTS LIST TC-142 PD 50/50 LOWER SHAFT CONT'D.

<u>ITEM</u>	<u>PART NO.</u>	<u>DESCRIPTION</u>	<u>QTY</u>	<u>FOOT NOTE</u>
230	432 536	Gear, Differential Pinion	4	
231	432 636	Gear, Declutch, FD & PTO	1	
232	432 649	Gear, Lower, 66 Spur Teeth	1	2
232	432 684	Gear, Lower, 62 Helical Teeth	1	2
232	432 699	Gear, Lower, 62 Helical Teeth and Tapered Clutch Teeth	1	2
233	432 652	Gear, Lower, 48 Spur Teeth	1	2
233	432 685	Gear, Lower, 45 Helical Teeth	1	2
233	432 722	Gear, Lower, 45 Helical Teeth and Tapered Clutch Teeth	1	2
234	468 627 003	Housing, Differential	1	
235	478 233	Housing, Declutch Front	1	
236	478 234	Housing, Differential Case Rear	1	
237	478 235	Housing, Differential Case Front	1	
238	675 279	O-Ring	2	
239	688 292	Nut, Lock, 5/8-18	8	
240	688 493	Nut, Lock, 7/16-20	12	
241	688 642	Nut, Lock, 1 3/4-16	1	
242	688 644	Nut, Lock, 2.933-12 SAE	1	
243	688 727	Nut, Lock, 1 1/4-12	1	
244	688 746 001	Nut, Stake, 2.548-18, LH	1	
245	724 677	Screw, 12-Pt., 7/16-14 x 2 1/4	8	
246	732 388	Seal, Oil, Front Output	1	
247	732 389	Seal, Oil, Rear Output	1	
248	732 392	Seal, Oil, Rear Output	1	
249	736 833	Ring, Retaining	1	
250	744 357 001	Shim, Red .002 Thick, Lower Shaft Front	A/R	1
	744 357 002	Shim, Blue .005 Thick, Lower Shaft Front	A/R	1
	744 357 003	Shim, Pink .015 Thick, Lower Shaft Front	A/R	1
	744 357 004	Shim, Coral .030 Thick, Lower Shaft Front	A/R	1
251	756 237 001	Ring, Bearing Spacer, .725 Thick	1	
252	756 237 005	Ring, Bearing Spacer, .997 Thick	1	
253	756 242 001	Ring, Bearing Spacer, .503 Thick	1	
254	756 243 001	Ring, Bearing Spacer, .425 Thick	1	
255	758 274	Plug, Magnetic, 3/4 NPT	1	

## **9.0 PARTS LIST TC-142 PD 50/50 LOWER SHAFT CONT'D.**

<u>ITEM</u>	<u>PART NO.</u>	<u>DESCRIPTION</u>	<u>QTY</u>	<u>FOOT NOTE</u>
256	776 252	Shaft, Inner Lower	1	
257	776 253	Shaft, Lower, Rear Output	1	
258	776 275	Shaft, Lower Outer	1	
259	788 548 005	Stud, 7/16-14 x 7/16-20 x 12" Long	12	
260	792 866	Plate, Declutch Cover	1	
261	883 473	Tube, Sleeve, Speedo Driven Gear	1	
262	883 996 002	Tube, Spacer, Rear Output	1	
263	927 347	Washer, Flat, 7/16	26	
264	927 722	Washer, Flat, 1/2	11	
265	927 737	Washer, Thrust, Differential Side Gear	2	
266	927 738	Washer, Thrust, Differential Pinion	4	
267	927 775 002	Washer, Front Output	1	
268	927 775 006	Washer, Rear Output	1	
269	927 825	Washer, Thrust	1	

### FOOTNOTE:

1. For shim pack selection, see section 6.5 of the Fabco TC-142 PD Transfer Case Parts and Service Manual.
2. Verify correct part number etched on gear.

## **9.0 PARTS LIST TC-142 PD DIFFERENTIAL LOCKOUT SHIFT CYLINDER**

<u>ITEM</u>	<u>PART NO.</u>	<u>DESCRIPTION</u>	<u>QTY</u>
301	235 352	Cap, Shift Cylinder	1
302	265 768	Bolt, H.H. 7/16-20 x 1 3/8 GR 8 with Drilled Head	2
303	265 769	Bolt, H.H. 1/4-20 x 3 3/4	4
304	339 223	Felt Wiper	1
305	367 254	Fork, Shift, Declutch	1
306	675 224	O-Ring, Sift Cylinder	3
307	675 326	O-Ring, Shift Piston	1
308	688 464	Nut, Lock, 3/8-24	1
309	736 747	Stop Ring, Piston	1
310	742 799	Shaft Shifter, Declutch	1
311	746 628	Pin, Dowel, 5/16 x 1 1/4	1
312	753 232	Piston, Shift	1
313	758 328	Plug, 1" Welch	1
314	777 477	Spring, Shifter Shaft, Declutch	1
315	782 288	O-Ring, Shifter Shaft, Declutch	1
316	798 245	Switch, Shift Indicator, Declutch	1
317	883 482	Tube, Shift Cylinder Adapter, Declutch	1
318	883 887 001	Tube, Shift Cylinder, Declutch, 2.75 Long	1
319	927 427	Washer, Copper	1
320	927 643	Washer, Shifter Shaft, Declutch	1
321	947 223	Lockwire	1



## 9.0 PARTS LIST TC-142 PD 26/74 LOWER SHAFT

<u>ITEM</u>	<u>PART NO.</u>	<u>DESCRIPTION</u>	<u>QTY</u>	<u>FOOT NOTE</u>
401	233 245	Bearing Cup	1	
402	233 394	Bearing Cup	2	
403	233 395	Bearing Cone	2	
404	233 437	Bearing, Needle, Assembly	9	
405	233 527	Bearing Cup	4	
406	233 528	Bearing Cone	4	
407	233 534	Bearing Cup & Cone Assembly	2	
408	233 535	Bearing Cone	1	
409	233 554	Bearing Cup	1	
410	233 556	Bearing Cone	1	
411	237 565	Carrier, Bearing & PD Housing, Inner	1	
412	237 567	Carrier, Bearing & PD Housing	1	
413	237 568	Carrier, Planet	1	
414	237 569	Carrier, Bearing & Seal, PD Lockout	1	
415	237 573 001	Carrier, Speedo & Rear Output Seal	1	
416	265 238	Bolt, H.H., 7/16-14 x 1 1/4	14	
417	265 343	Bolt, H.H., 1/4-20 x 1/2	4	
418	265 923	Bolt, H.H., 7/16-14 x 7	12	
419	2831229	Bolt, H.H., 3/8-16 x 1 1/4 w/Dri-Loc	12	
420	283 232	Bolt, H.H., 1/2-13 x 2 3/4	11	
421	427 372	Gasket, Front Upper	1	
422	427 375	Gasket, Declutch Carrier	1	
423	427 376	Gasket, Declutch Cover	1	
424	427 432	Gasket, Rear Output Carrier	1	
425	432 426	Gear, Clutch Collar	1	
426	432 429	Gear, Speedo Driven, 13T	1	
427	432 432	Gear, Speedo Driven, 6T	1	
428	432 485	Gear, Collar, 33 Clutch Teeth	1	2
428	432 698	Gear, Collar, 33 Tapered Clutch Teeth	1	2
429	432 525	Gear, Planet	3	
430	432 526	Gear, Internal, 62T	1	
431	432 532	Gear, Declutch, PD Lockout	1	
432	432 584	Gear, Sun, 22T	1	
433	432 636	Gear, Declutch, FD & PTO	1	

## 9.0 PARTS LIST TC-142 PD 26/74 LOWER SHAFT CONT'D.

<u>ITEM</u>	<u>PART NO.</u>	<u>DESCRIPTION</u>	<u>QTY</u>	<u>FOOT NOTE</u>
434	432 649	Gear, Lower, 66 Spur Teeth	1	2
434	432 684	Gear, Lower, 62 Helical Teeth	1	2
434	432 699	Gear, Lower, 62 Helical teeth and Tapered Clutch Teeth	1	2
435	432 685	Gear, Lower, 45 Helical Teeth	1	2
435	432 722	Gear, Lower, 45 Helical Teeth and Tapered Clutch Teeth	1	2
436	468 627 001	Housing, Planetary	1	
437	478 233	Housing, Declutch Front	1	
438	675 279	O-Ring	2	
439	688 642	Nut, Lock, 1 3/4-16	1	
440	688 644	Nut, Lock, 2.933-12 SAE	1	
441	688 727	Nut, Lock, 1 1/4-12	1	
442	688 746 001	Nut, Stake, 2.548-18, LH	1	
443	724 677	Screw, 12Pt., 7/16-14 x 2 1/4	8	
444	732 388	Seal, Oil, Front Output	1	
445	732 389	Seal, Oil, Rear Output	1	
446	736 833	Ring, Retaining	1	
447	736 868	Ring, Spacer, Planet Pin	6	
448	736 869	Ring, Spacer, Needle Bearing	6	
449	736 987	Ring, Retaining	1	
450	744 357 001	Shim, Red .002 Thick, Lower Shaft Front	A/R	1
	744 357 002	Shim, Blue .005 Thick, Lower Shaft Front	A/R	1
	744 357 003	Shim, Pink .015 Thick, Lower Shaft Front	A/R	1
	744 357 004	Shim, Coral .030 Thick, Lower Shaft Front	A/R	1
451	746 737	Pin, Planet Gear	3	
452	756 237 001	Ring, Bearing Spacer, .725 Thick	1	
453	756 237 005	Ring, Bearing Spacer, .997 Thick	1	
454	756 242 001	Ring, Bearing Spacer, .503 Thick	1	
455	756 243 001	Ring, Bearing Spacer, .425 Thick	1	
456	758 274	Plug, Magnetic, 3/4 NPT	1	
457	762 239	Snap Ring	3	
458	762 327	Snap Ring, Sun Gear	1	
459	776 246	Shaft, Lower, Inner	1	
460	776 249	Shaft, Weldment, Rear Output	1	

## **9.0 PARTS LIST TC-142 PD 26/74 LOWER SHAFT CONT'D.**

<u>ITEM</u>	<u>PART NO.</u>	<u>DESCRIPTION</u>	<u>QTY</u>	<u>FOOT NOTE</u>
461	776 275	Shaft, Lower Outer	1	
462	792 866	Plate, Declutch Cover	1	
463	883 473	Tube, Sleeve, Speedo Driven Gear	1	
464	883 996 002	Tube, Spacer, Rear Output	1	
465	927 347	Washer, Flat, 7/16	26	
466	927 722	Washer, Flat, 1/2	11	
467	927 775 002	Washer, Front Output	1	
468	927 775 006	Washer, Rear Output	1	

### FOOTNOTE:

1. For shim pack selection, see section 6.5 of the Fabco TC-142 PD Transfer Case Parts and Service Manual.
2. Verify correct part number etched on gear.